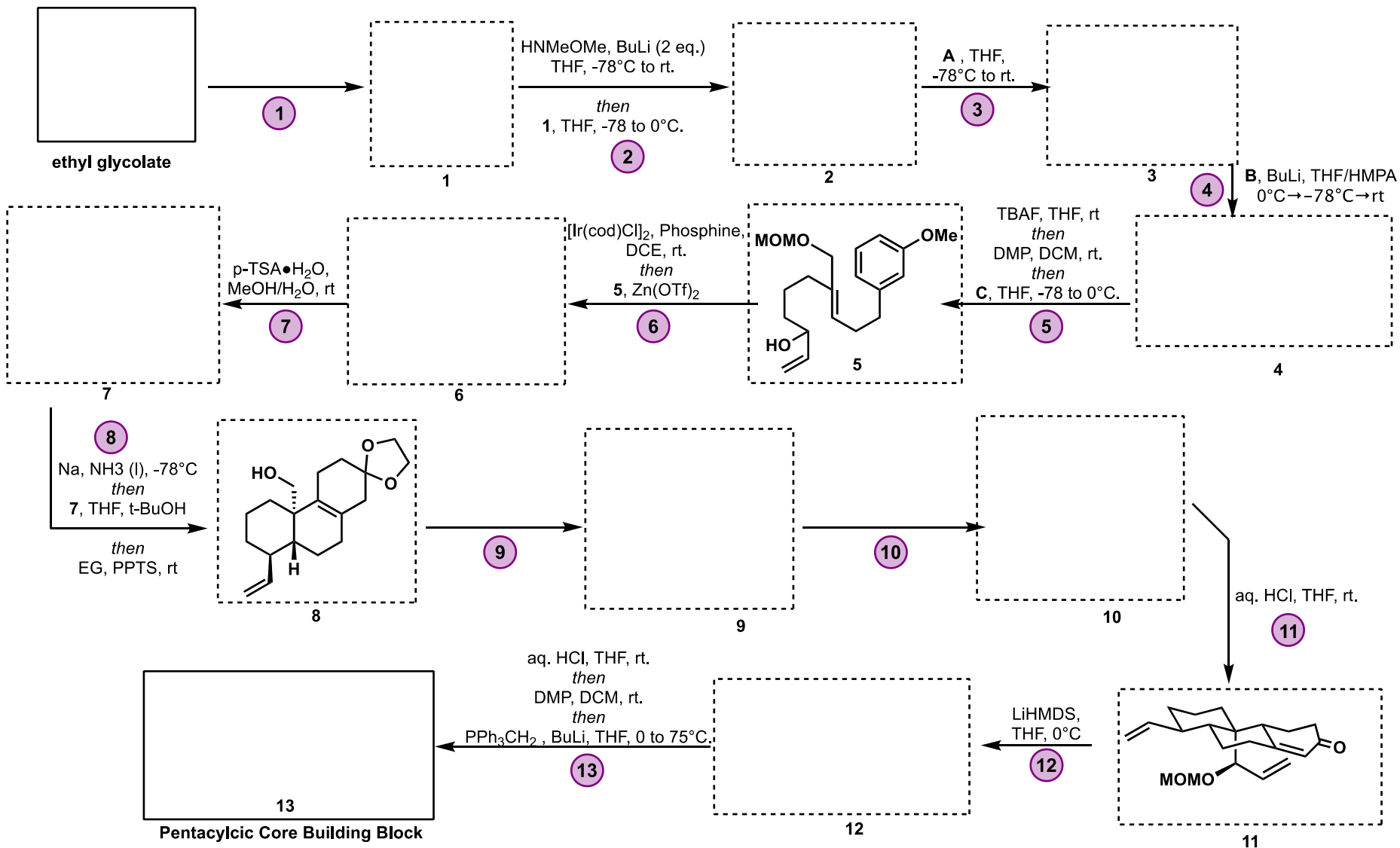


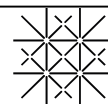
E102: Total Synthesis of Septedine

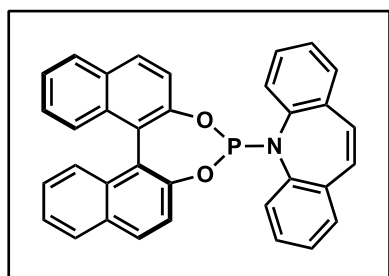
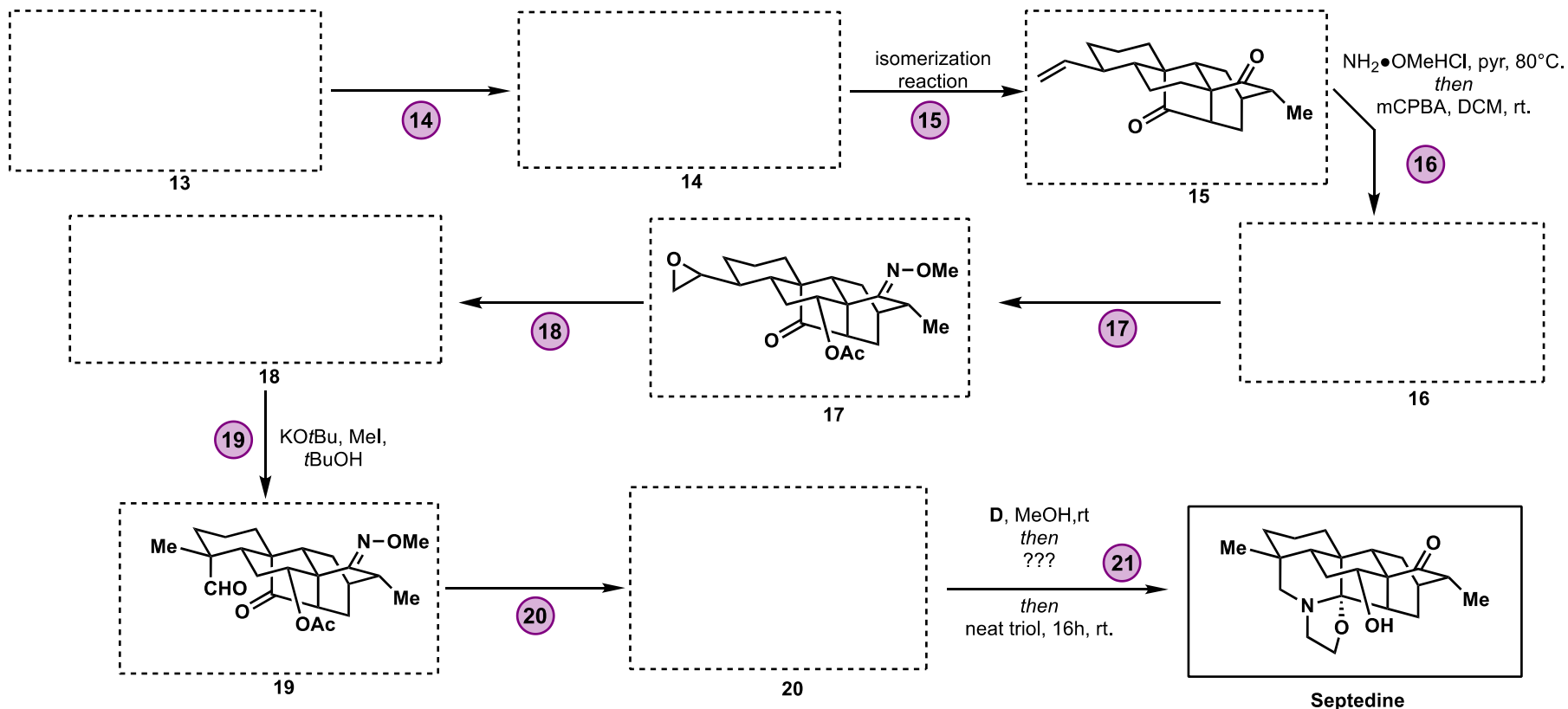


[1] S. Zhou, R. Guo, P. Yang, A. Li *JACS* **2018**, *140*, 9025.

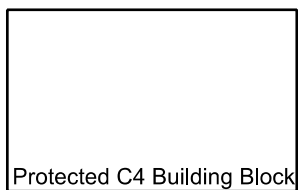
[2] F. Silva, M. Sawicki, V. Gouverneur *OL* **2006**, *8*, 5417.

[3] P. Tauh, A. G. Fallis, *J. Org. Chem.* **1999**, *64*, 6960.





Phosphine



Reagent A



Reagent B



Reagent C



Reagent D

[1] S. Zhou, R. Guo, P. Yang, A. Li *JACS* **2018**, *140*, 9025.

[2] F. Silva, M. Sawicki, V. Gouverneur *OL* **2006**, *8*, 5417.

[3] P. Tauh, A. G. Fallis, *J. Org. Chem.* **1999**, *64*, 6960.

