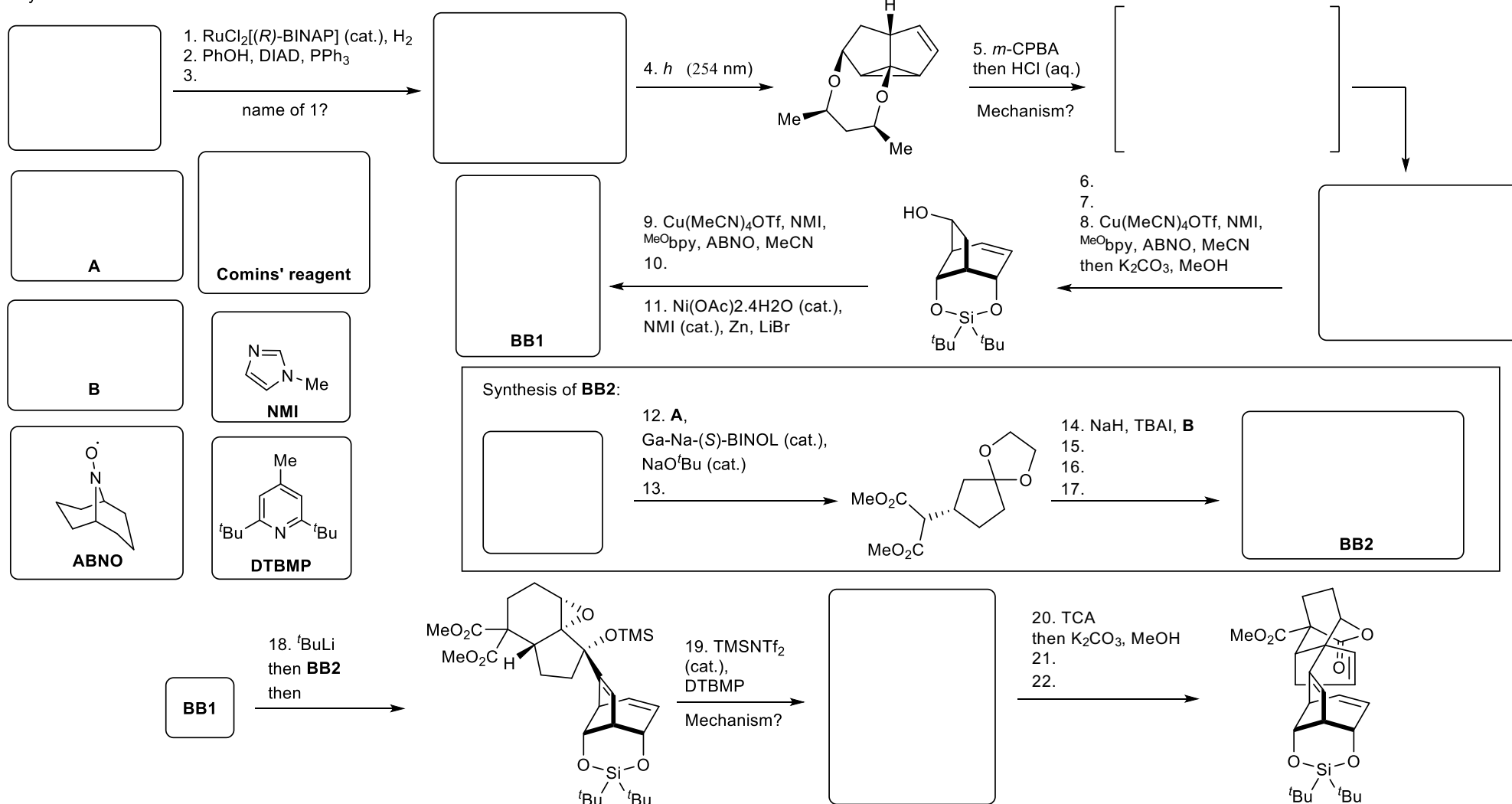
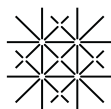


E170: Synthesis of (-)-Talatisamine, (-)-Liljestrandisine, and (-)-Liljestrandinine

Synthesis of **BB1**:

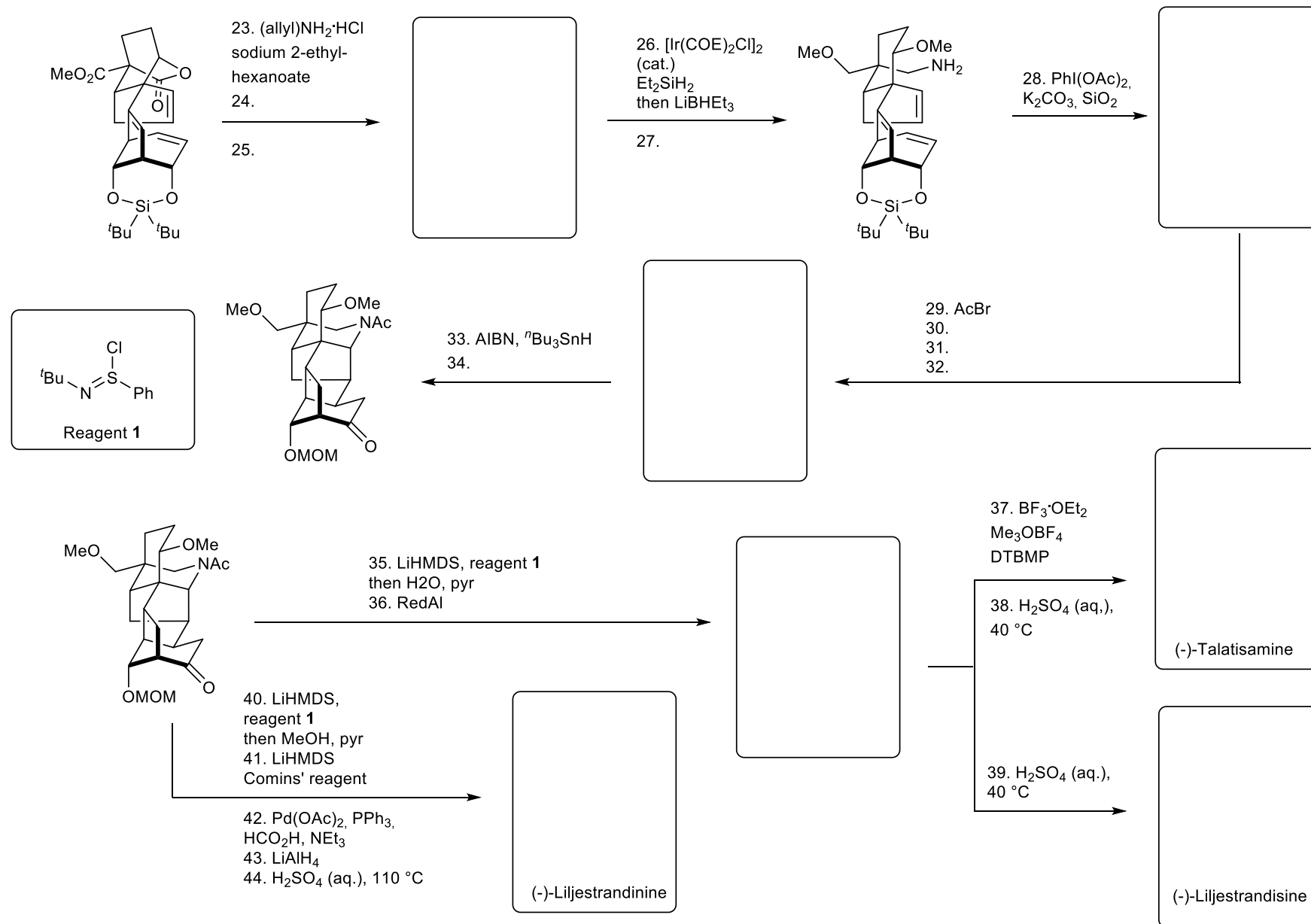


[1] Wong, A. R.; Fastuca, N. J.; Mak, V. W.; Kerkovius, J. K.; Stevenson, S. M.; Reisman, S. E. *ACS Central Science* **2021**, *7*, 1311-1316. Step 4: [2] Hagiya, K.; Yamasaki, A.; Okuyama, T.; Sugimura, T. *Tetrahedron: Asymmetry* **2004**, *15*, 1409-1417. [3] Sugimura, T.; Yamasaki, A.; Okuyama, T. *Tetrahedron: Asymmetry* **2005**, *16*, 675-683.

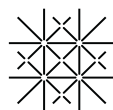


University
of Basel

Sparr Group Seminar
08.12.2021
Anton Budeev



[1] Wong, A. R.; Fastuca, N. J.; Mak, V. W.; Kerkovius, J. K.; Stevenson, S. M.; Reisman, S. E. *ACS Central Science* **2021**, *7*, 1311-1316. Step 4: [2] Hagiya, K.; Yamasaki, A.; Okuyama, T.; Sugimura, T. *Tetrahedron: Asymmetry* **2004**, *15*, 1409-1417. [3] Sugimura, T.; Yamasaki, A.; Okuyama, T. *Tetrahedron: Asymmetry* **2005**, *16*, 675-683.



University
of Basel

Sparr Group Seminar
08.12.2021
Anton Budeev