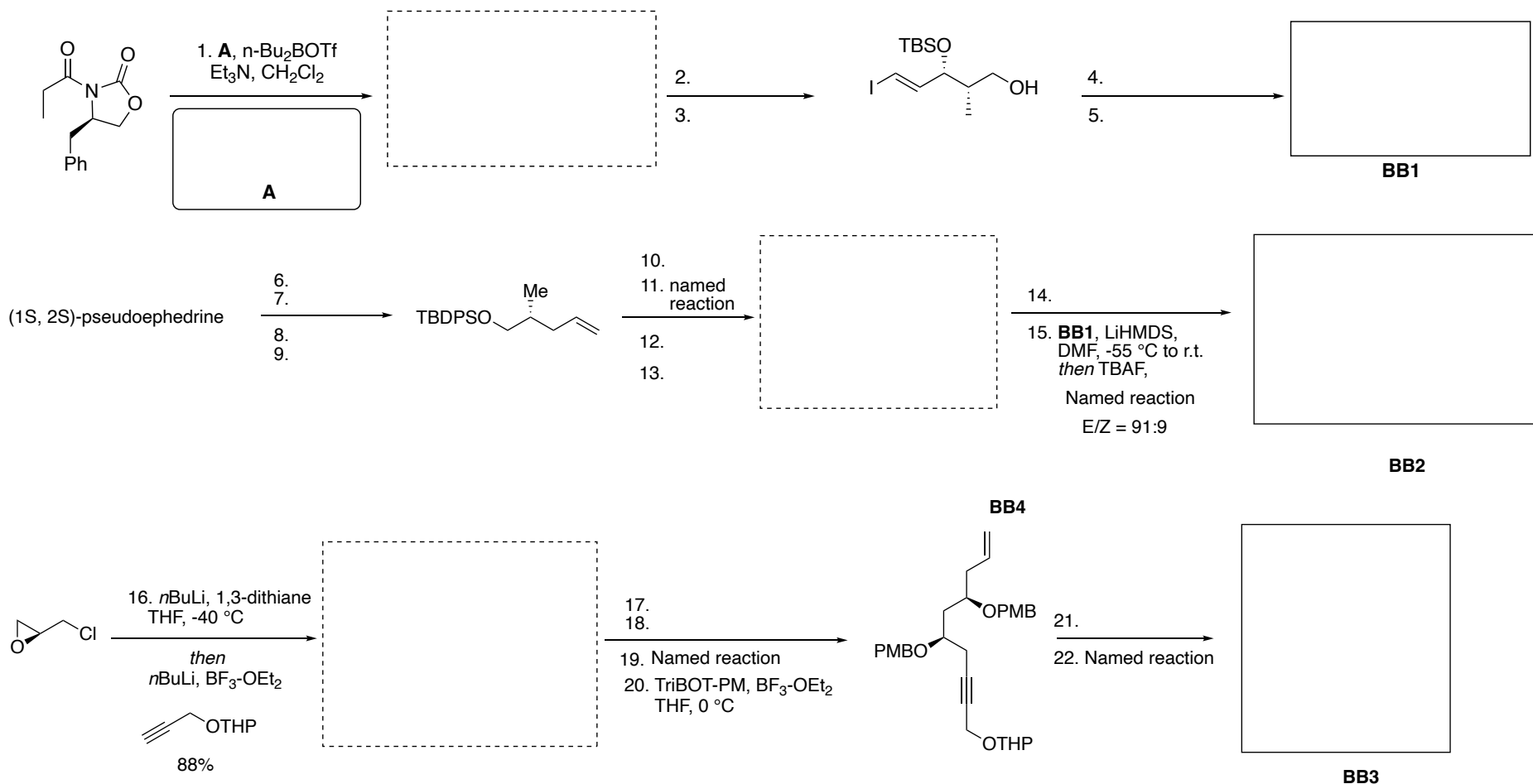


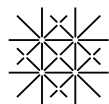
E184: Total Synthesis of (-)-Exiguolide



Mizukami, D.; Iio, K.; Oda, M.; Onodera, Y.; Fuwa, H. *Angew. Chem. Int. Ed.* **2022**, *61*, e202202549

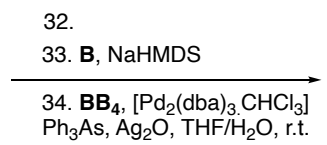
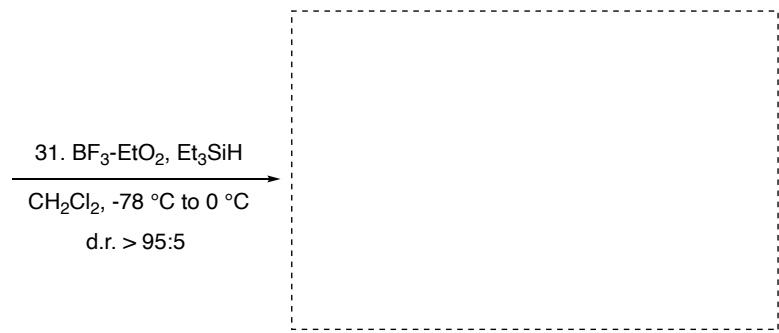
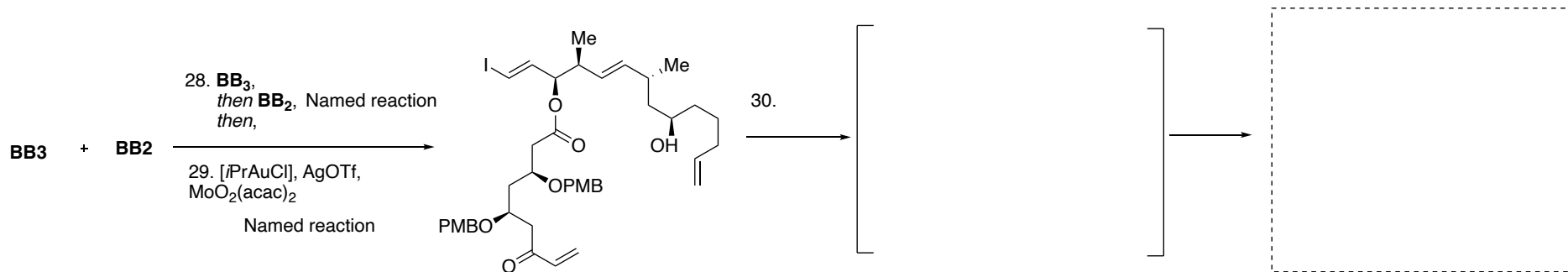
Hung, K-y.; Harris, P. W. R.; Brimble, M. A. *J. Org. Chem.* **2010**, *75*, 8728–8731

C. R. Reddy, N. N. Rao, *RSC Adv.* **2012**, *2*, 7724–773



University
of Basel

Sparr Group Seminar
25.05.2022
Guillaume Masson



(-)-Exiguolide

