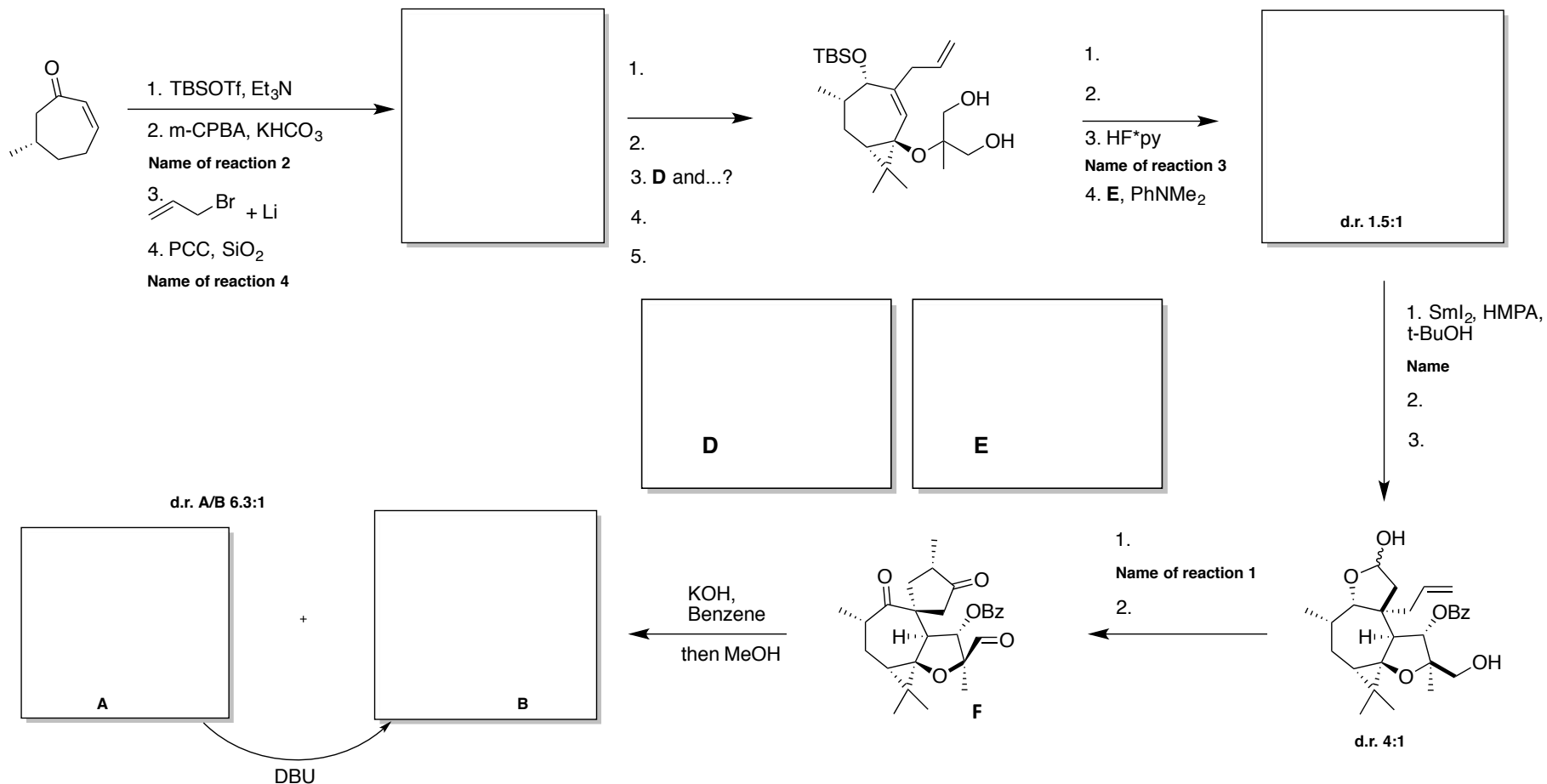
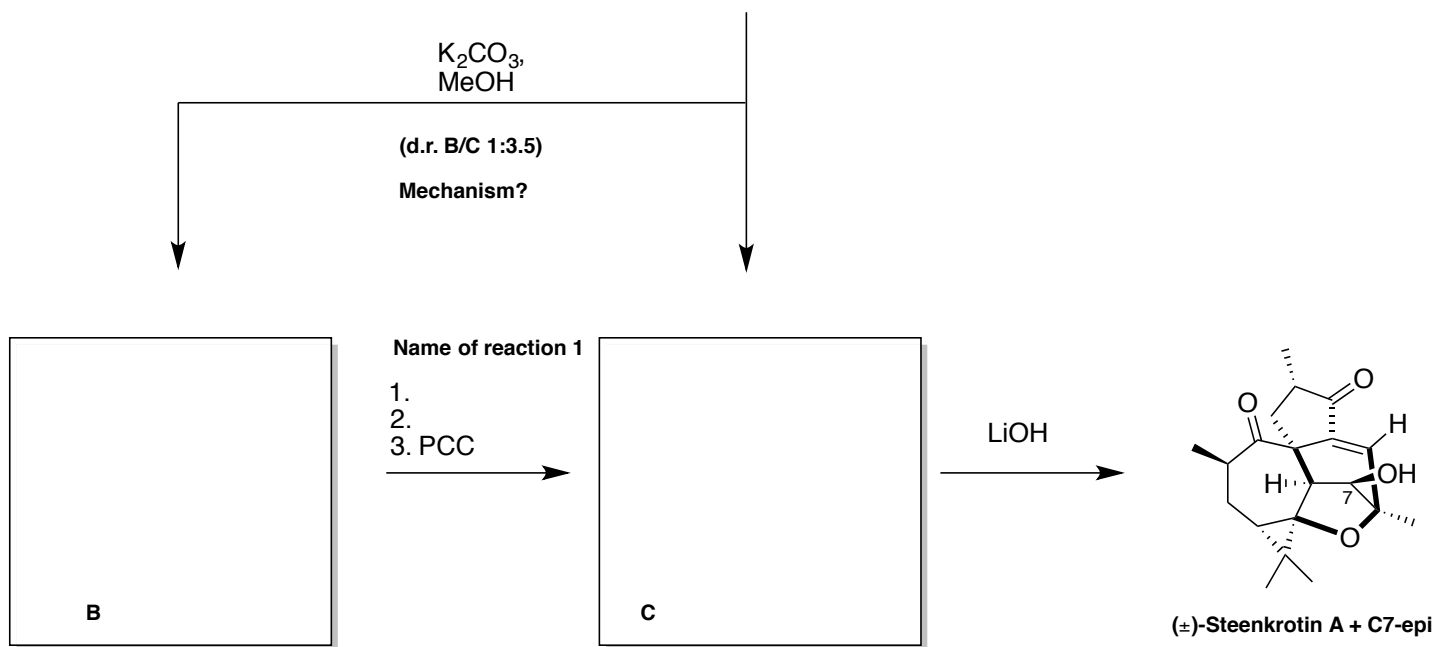
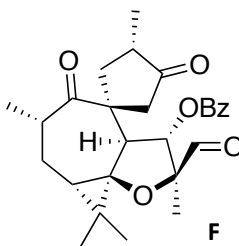


E25: Total synthesis of Steenkrotin A^[1]



[¹] Pan, S., Xuan, J., Gao, B., Zhu, A. and Ding, H., *Angew. Chem. Int. Ed.*, **2015**, 54, 6905–6908.



[1] Pan, S., Xuan, J., Gao, B., Zhu, A. and Ding, H.,
Angew. Chem. Int. Ed., **2015**, 54, 6905–6908.