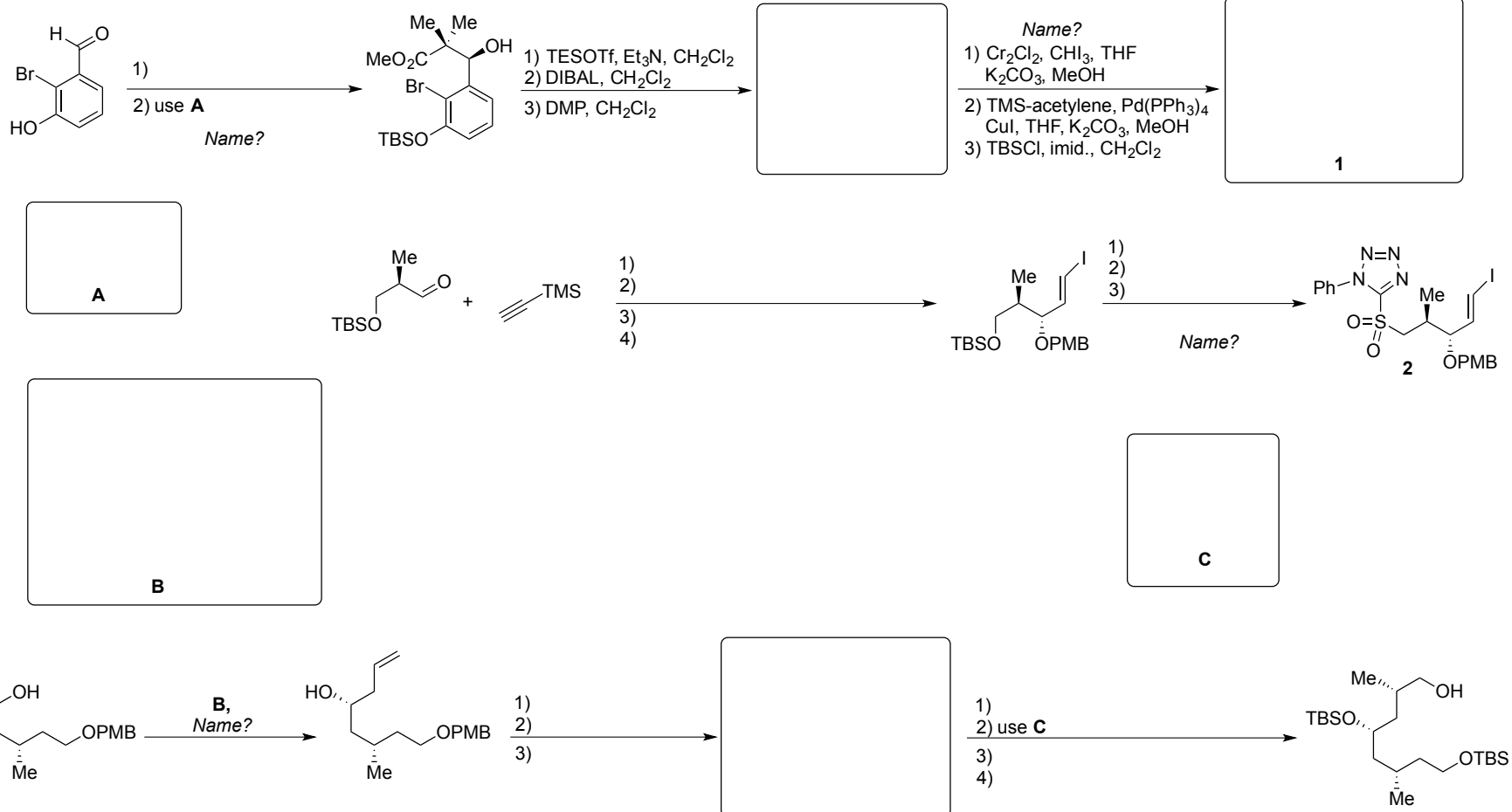
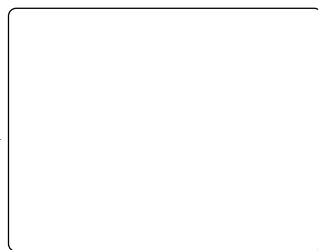
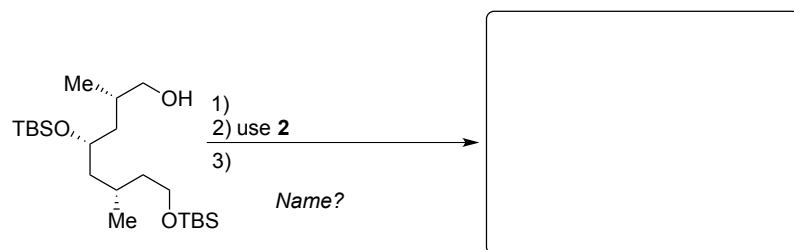


E26: Total Synthesis of Callyspongiolide

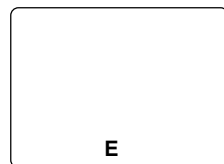
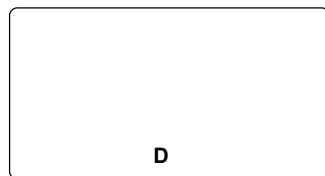
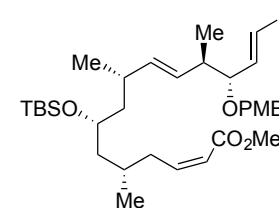




1)

 2) use **D**

 Name?



- 1) DDQ, CH₂Cl₂, buffer
- 2) LiOH, THF/MeOH/H₂O
- 3) **E**, Et₃N, DMAP, Toluene Name?
- 4) CSA, MeOH
- 5) **1**, Pd(PPh₃)₄, CuI, Et₃N, THF
- 6) Cl₃CC(O)NCO, CH₂Cl₂
- then K₂CO₃, MeOH
- 7) TASF, THF

