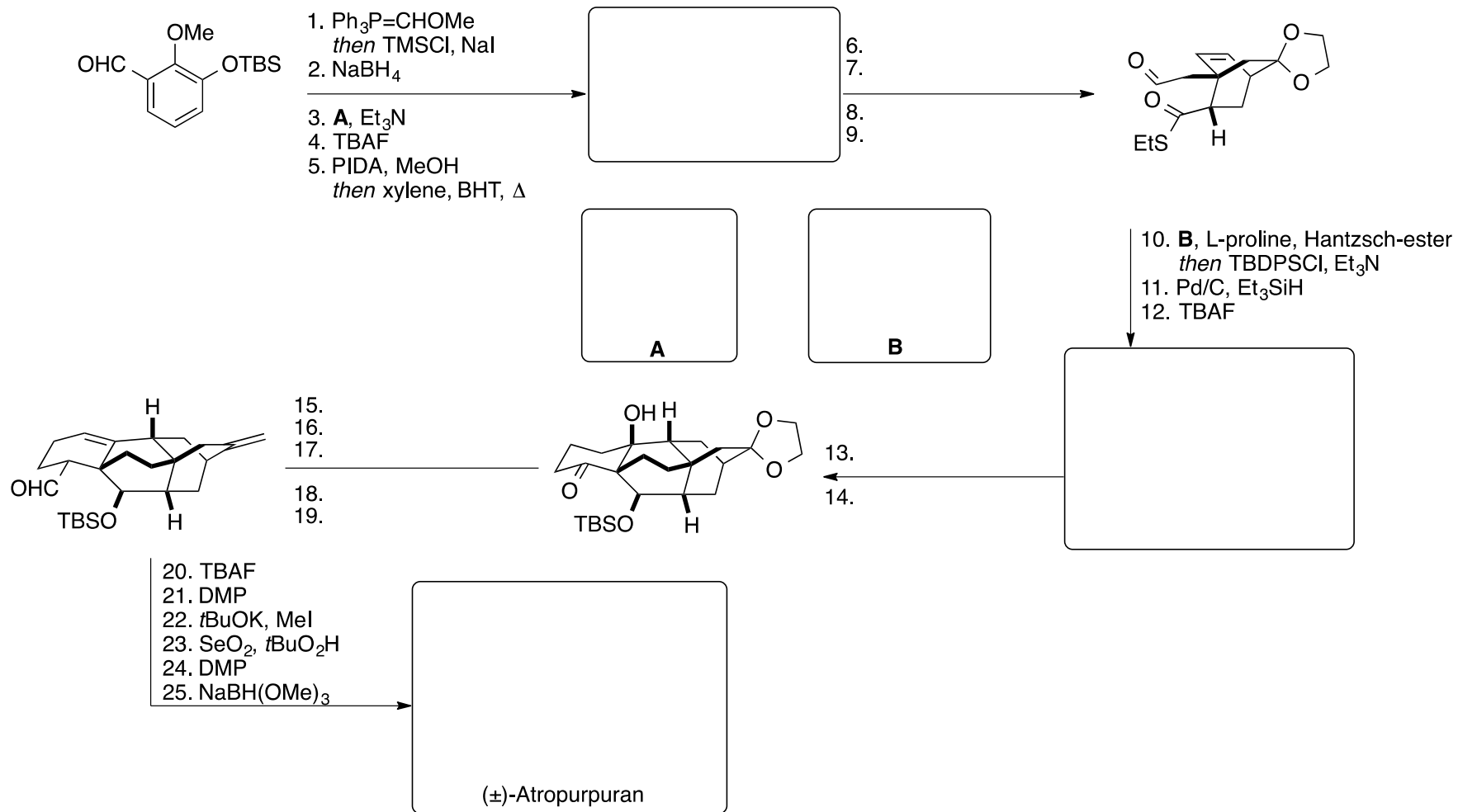
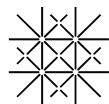


# E82: Synthesis of (±)-Atropurpuran [1] & (±)-Hosieine A [2-4]



[1] J. Gong, H. Chen, X.-Y. Liu, Z.-X. Wang, W. Nie, Y. Qin, *Nat. Comm.* **2016**, *7*, 12183; [2] Y.-W. Huang, K. Kong, J. L. Wood, *Angew. Chem. Int. Ed.* **2018**, *57*, 7664–7667; [3] D. J. Gorin, F. D. Toste, *Nature* **2007**, *446*, 395–403 [4] C. Bürki, A. Whyte, S. Arndt, A. S. K. Hashmi, M. Lautens, *Org. Lett.* **2016**, *18*, 5058–5061.



University  
of Basel

Sparr Group Seminar  
7.11.2018  
Felix C. Raps

